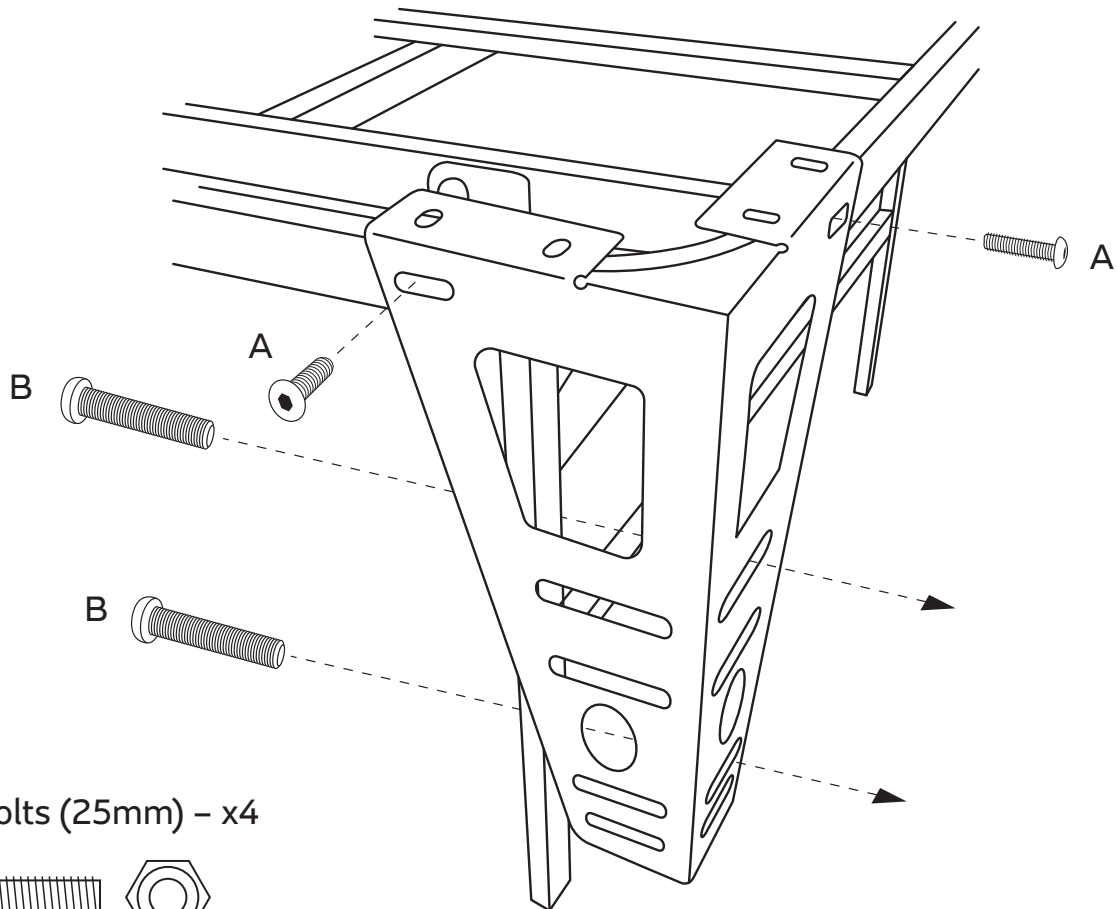


Hardware included for headboard bracket.



(A) 1" bolts (25mm) - x4



(B) 1-1/2" bolts (40mm) - x4



Step 4. (Optional) Attach the brackets to the platform with the 1" (25mm) bolts and lock nuts. Then attach headboard to brackets using 1-1/2" (40mm) bolts, washers, and nuts.

Follow the set-up instructions in reverse to disassemble your bed frame.
To review your warranty information, please go to: onpurple.com/warranty